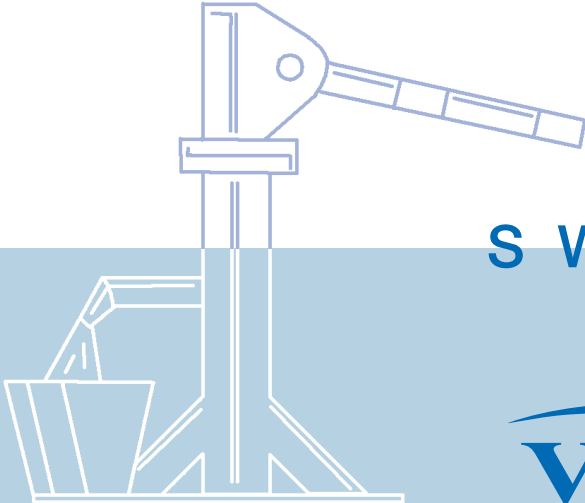




V A N R E E K U M M A T E R I A L S

SWN HANDPUMPS
SWN HANDPUMPS
SWN HANDPUMPS
SWN HANDPUMPS
SWN HANDPUMPS
SWN HANDPUMPS



SWN HANDPUMPS



A major problem

In many parts of the world, a shortage of good surface water means that to ensure the survival of a community, a well has to be drilled and a pump installed.

This relatively simple procedure frequently presents a major problem in developing areas. Availability assistance is invariably expensive and the equipment is often too complicated to be used by anyone except a trained engineer.

Basic support

Recognizing this problem, VRM, with over 50 years of experience in well drilling technology, has specialized in the provision of hand drilling and pumping equipment for rural development.

It has developed special hand operated equipment for drilling wells and handpumps which meet all the essential requirements. Equipment which is easily transported, simple to use and which requires only limited maintenance - and then only after long periods of operation. Furthermore, essential working parts subject to the greatest wear can generally be replaced with locally available materials, thereby reducing reliance on technical assistance or spare parts both of which may be difficult to obtain.

For all environments

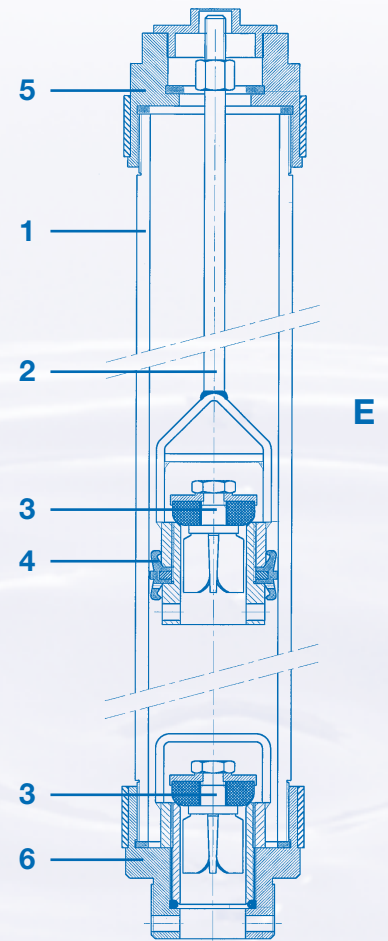
VRM can provide well drilling and pumping equipment to suit every kind of need in almost every type of environment - bush, hill country or lowland plain. Equipment which needs only the most basic understanding to put in place and operate effectively.

For all requirements

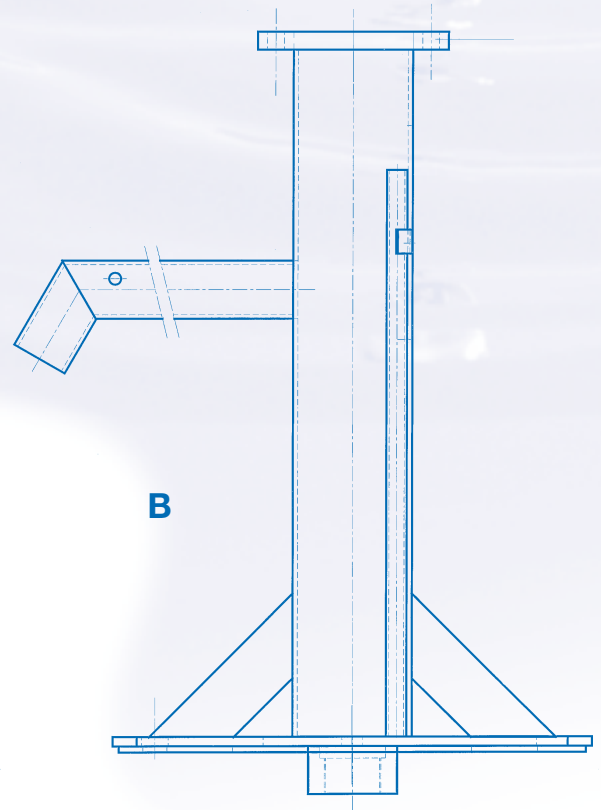
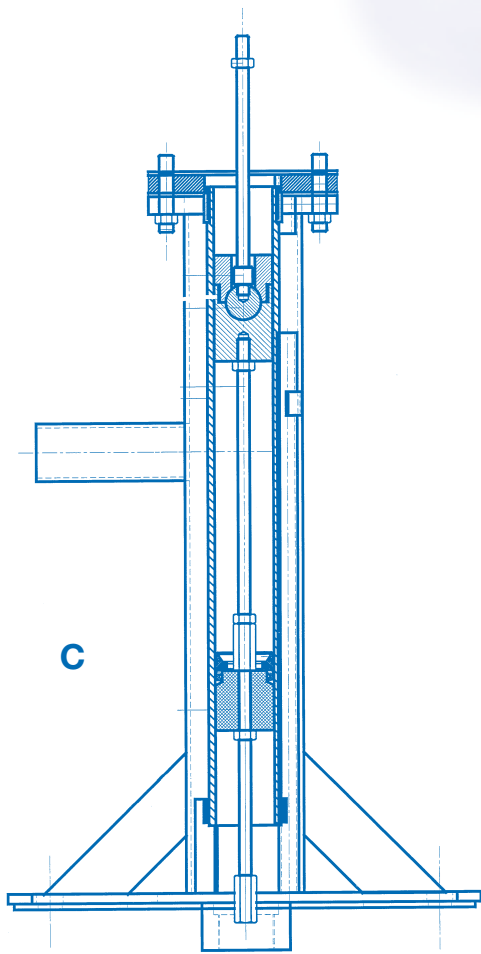
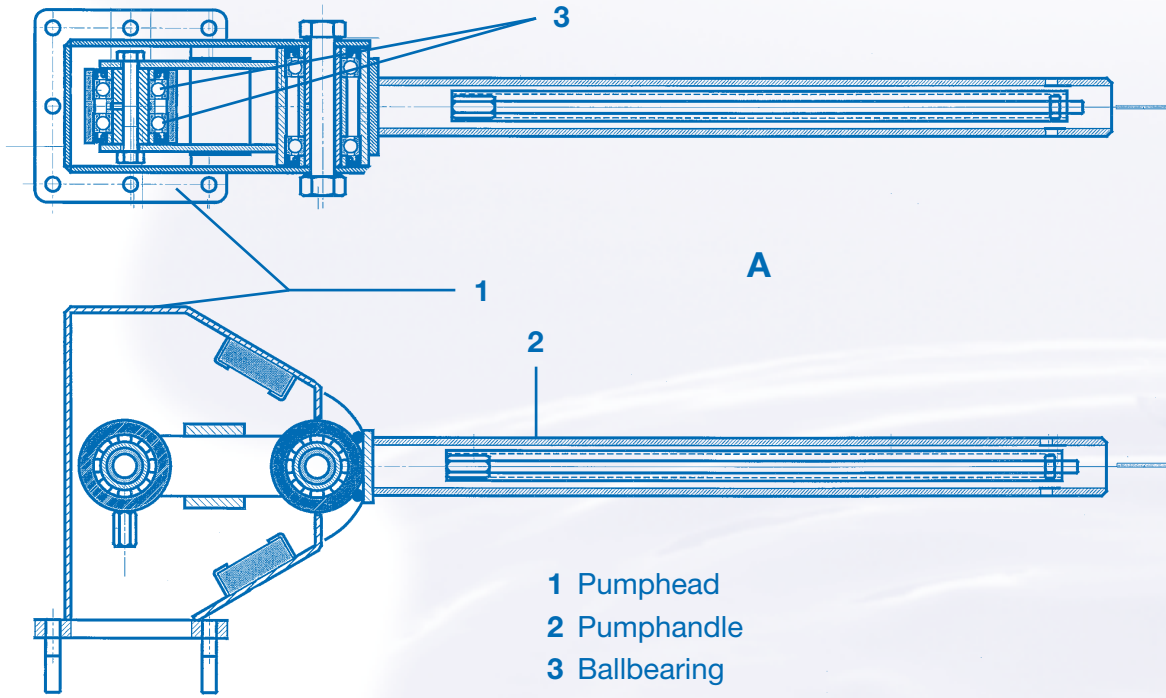
Simple tools and a simple way to establish a source of community water for drinking, cooking, washing, for the irrigation of crops and for 'livestock'.

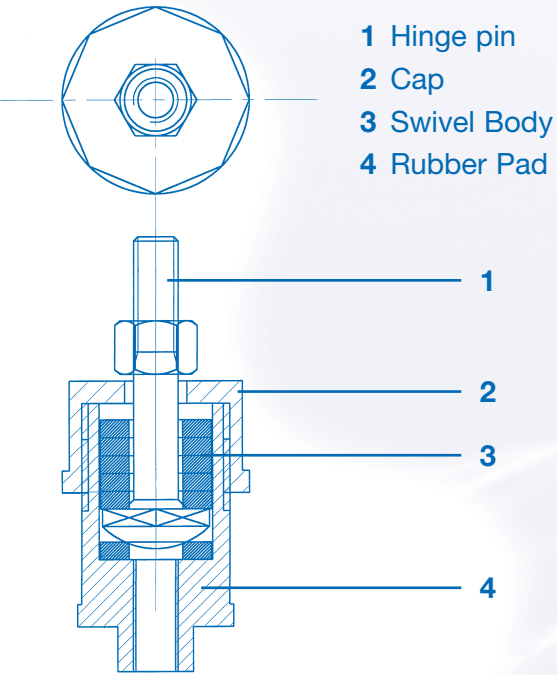
And that's where a better life begins - with a well.

Contact us for further information and to discuss any specific requirements you may have. Our sales and technical staff will be pleased to assist you.



- 1 PVC Cylinder
- 2 Piston Rod
- 3 Piston Valve
- 4 Piston Seal
- 5 Top connector
- 6 Bottom connector





- 1 Hinge pin
- 2 Cap
- 3 Swivel Body
- 4 Rubber Pad

Equipment available

VRM is able to provide complete well drilling sets. These can include sturdy heavy duty steel tripods, hand winches and PVC screens and casings, together with hand operated pumps. All to suit a wide range of well depths and water supply demands.

Pumpheads (A)

SWN pumpheads are sturdy constructions, hot-dip galvanised, with oversized bearings to guarantee a long working life. The bearing housing are suitable for both ball and journal bearings. SWN type pumps are suitable for depths of up to 60 metres.

Pumpstands (B)

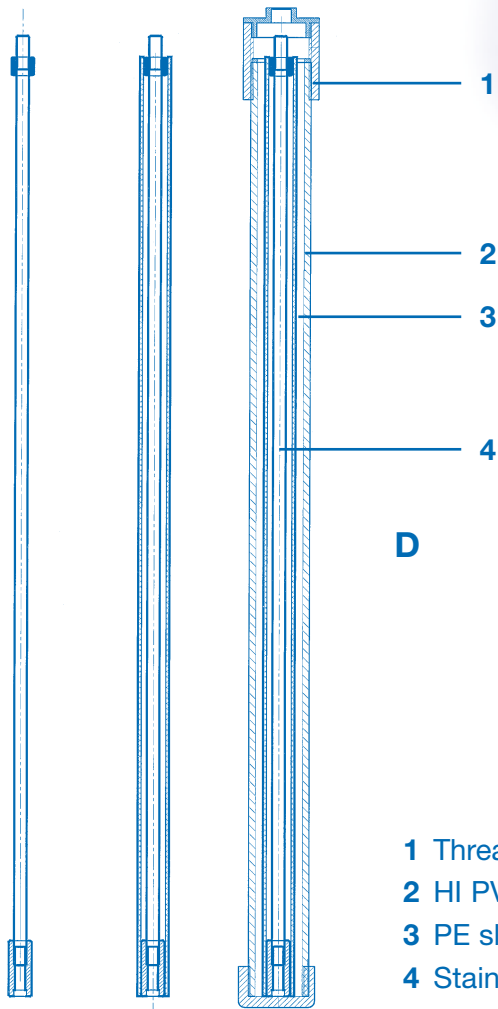
The pumpstands, supporting the pumpheads, are completely hot-dip galvanized. On top of that the inside is protected by a thick layer of bituminous coating.

Pumpstands with pressure unit (C)

A high quality pressure unit, of standard construction, can be installed in the SWN pumpstand for overhead tank filling.

Riser/rod combination (D)

A combination of a 1 1/2" thick wall, high impact PVC riser, together with a 10 mm stainless steel pump rod, protected by a polyethylene sleeve, has proven to be a maintenance-free construction for many years. Riser/rod combinations are available in lengths of 3 m, 1,5 m and 0,75 m.



D

- 1 Threaded socket 1 1/2"
- 2 HI PVC pipe 1 1/2"
- 3 PE sleeve
- 4 Stainless steel Rod 10 mm.

Pumpcylinder (E)

The SWN pumpcylinder is supplied with a bi-directional neoprene piston rubber, which has a very long life span. All parts of the cylinder are made of corrosion resistant materials.

Drinking water is the world's most precious commodity.
And a secure, centrally located source of water is essential
to the health and development of any community.



Van Reekum Materials bv

P.O. Box 98

7300 AB Apeldoorn

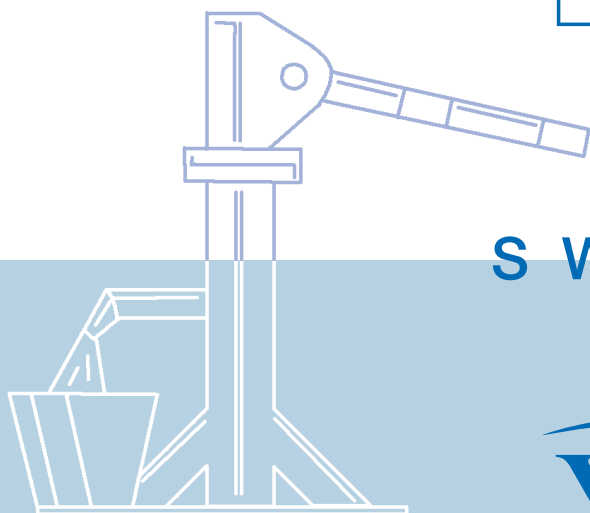
Holland

Telephone +31 55-533 54 66

Fax +31 55-533 54 88

e-mail: info@vrm.nl

Internet: www.vrm.nl



S W N H A N D P U M P S

